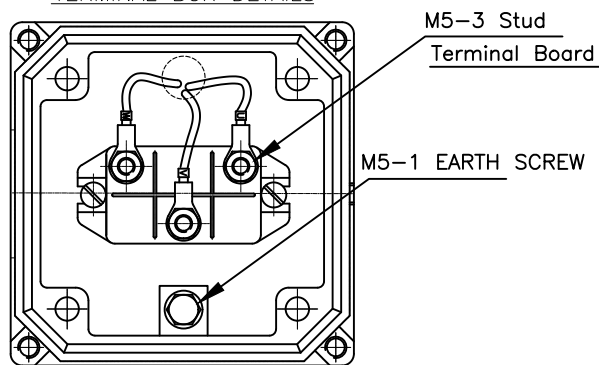


TERMINAL BOX DETAILS



NAME PLATE DETAILS (IS12615:2018)

Marking	CE
Frame	LE 63
Duty	S1
Class of Insulation	F
Frequency, Hz	50±5%
Pole	4
Connection	STAR
Output in KW	0.12
Voltage in Volts	415±10%
F.L.Current in Amps	0.62
Speed in RPM	1320
% Efficiency	59.1(IE2)
Brg.(DE)	6202 2RS
Brg.(NDE)	6202 2RS
Power Factor	0.63
Protection	IP55

ALL DIMENSIONS ARE IN mm					DCR. NO	ZONE	ALTERATIONS	SIGN/ DATE	WEIGHT IN kg.	ROUGH FINISHED	MODEL	LE 63	DRG.No.LE06343002	REV. NO	00
LINEAR DIMENSIONS (MACHINING)	GENERAL TOLERANCES										LAKSHMI ELECTRICAL DRIVES PRIVATE LIMITED COIMBATORE - 641 004				
	ABOVE	0	30	100	300						G.A DRAWING 0.12KW, 4 POLE, IE2				
	UPTO	30	100	300	1000										
TOL	±0.2	±0.3	±0.5	±0.8											
ANGLES	± 1/2'														

PREPARED	H.H	27-12-2023
CHECKED	V.B	27-12-2023
APPROVED	R.R	27-12-2023

SCALE	NTS
QUANTITY	1 No
MATERIAL	-

