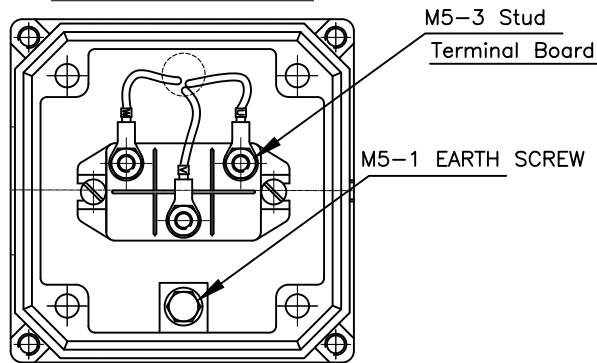


TERMINAL BOX DETAILS



NAME PLATE DETAILS (IS12615:2018)

Marking	CE
Frame	LE 63
Duty	S1
Class of Insulation	F
Frequency, Hz	50±5%
Pole	2
Connection	STAR
Output in KW	0.18
Voltage in Volts	415±10%
F.L.Current in Amps	0.82
Speed in RPM	1320
% Efficiency	64.7(IE2)
Brg.(DE)	6202 2RS
Brg.(NDE)	6202 2RS
Power Factor	0.65
Protection	IP55

70-3116

ALL DIMENSIONS ARE IN mm					PREPARED	H.H	27-12-2023	<p>LAKSHMI ELECTRICAL DRIVES PRIVATE LIMITED COIMBATORE - 641 004</p>					
LINEAR DIMENSIONS (MACHINING)	GENERAL TOLERANCES					CHECKED	V.B		27-12-2023				
	ABOVE	0	30	100	300	APPROVED	R.R		27-12-2023				
	UPTO	30	100	300	1000	SCALE	NTS						
TOL	±0.2	±0.3	±0.5	±0.8	QUANTITY	1 No			G.A DRAWING 0.18KW, 2 POLE, IE2				
ANGLES	± 1/2'					MATERIAL	-		MODEL	LE 63	DRG.No. LE06325001	REV. NO	00
	DCR. NO	ZONE	ALTERATIONS			SIGN/ DATE	WEIGHT IN kg.	ROUGH FINISHED					