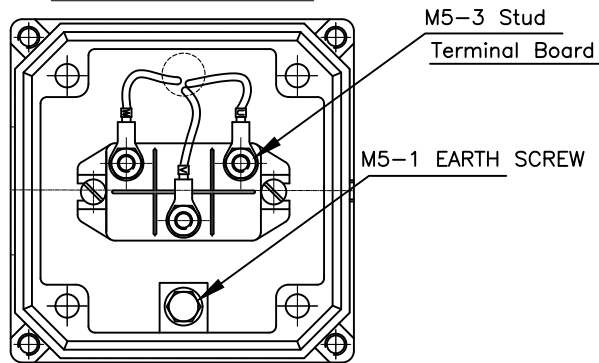



TERMINAL BOX DETAILS



NAME PLATE DETAILS (IS12615:2018)

Marking	CE
Frame	LE 63
Duty	S1
Class of Insulation	F
Frequency, Hz	50±5%
Pole	2
Connection	STAR
Output in KW	0.18
Voltage in Volts	415±10%
F.L.Current in Amps	0.82
Speed in RPM	1320
% Efficiency	64.7(IE2)
Brg.(DE)	6202 2RS
Brg.(NDE)	6202 2RS
Power Factor	0.65
Protection	IP55

ALL DIMENSIONS ARE IN mm					DCR. NO	ZONE	ALTERATIONS	SIGN/ DATE	WEIGHT IN kg.	ROUGH FINISHED	MODEL	LE 63	DRG.No.LE06343001	REV. NO	00
LINEAR DIMENSIONS (MACHINING)	GENERAL TOLERANCES							PREPARED	H.H	27-12-2023	 LAKSHMI ELECTRICAL DRIVES PRIVATE LIMITED COIMBATORE - 641 004 G.A DRAWING 0.18KW, 4 POLE, IE2				
	ABOVE	0	30	100	300			CHECKED	V.B	27-12-2023					
	UPTO	30	100	300	1000			APPROVED	R.R	27-12-2023					
TOL	±0.2	±0.3	±0.5	±0.8			SCALE	NTS			QUANTITY	1 No			
ANGLES	± 1/2'							MATERIAL	-						