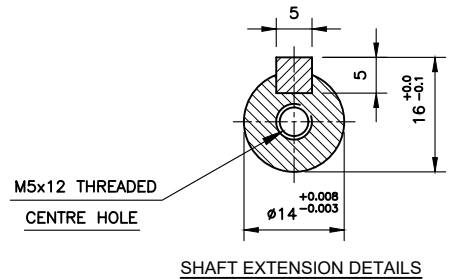
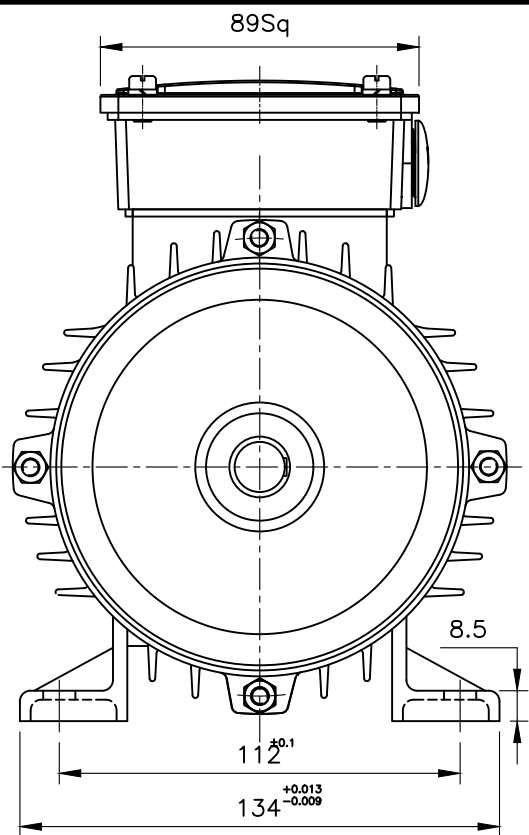
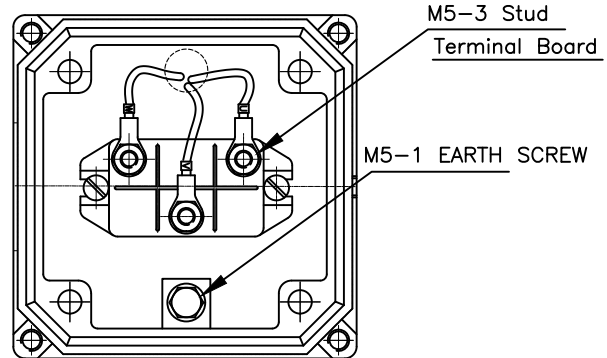


TERMINAL BOX DETAILS



SHAFT EXTENSION DETAILS

NAME PLATE DETAILS (IS12615:2018)

Marking	CE
Frame	LE 71
Duty	S1
Class of Insulation	F
Frequency, Hz	50±5%
Pole	4
Connection	STAR
Output in KW	0.37
Voltage in Volts	415±10%
F.L.Current in Amps	1.4
Speed in RPM	1330
% Efficiency	72.7(IE2)
Brg.(DE)	6203 2RS
Brg.(NDE)	6203 2RS
Power Factor	0.53
Protection	IP55

ALL DIMENSIONS ARE IN mm					
LINEAR DIMENSIONS (MACHINING)	GENERAL TOLERANCES				
	ABOVE	0	30	100	300
	UPTO	30	100	300	1000
TOL	±0.2	±0.3	±0.5	±0.8	
ANGLES	± 1/2'				

DCR. NO	ZONE	ALTERATIONS
---------	------	-------------

PREPARED	H.H	27-12-2023
CHECKED	V.B	27-12-2023
APPROVED	R.R	27-12-2023
SCALE	NTS	
QUANTITY	1 No	
MATERIAL	-	
WEIGHT IN kg.	ROUGH	FINISHED

LAKSHMI ELECTRICAL DRIVES PRIVATE LIMITED
COIMBATORE - 641 004

G.A DRAWING
0.37KW, 4 POLE, IE2

MODEL	LE 71	DRG.No.LE07143001	REV. NO	00
-------	-------	-------------------	---------	----