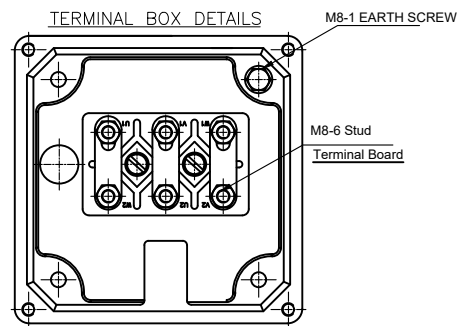


NAME PLATE DETAILS (IS 12615 : 2018)

MARKING	CE
Frame	LE 200L
Duty	S1
Class of insulation	F
Frequency, Hz	50 ±5%
Pole	6
Connectoin	Delta
Output in KW	22
Voltage in volts	415 ±10%
F.L.Current in Amps	40
Speed in RPM	970
% Efficiency	90.9(IE2)
Protection	IP-55
Power Factor	0.85
BRG DE	6312 ZZC3
BRG NDE	6312 ZZC3



ALL DIMENSIONS ARE IN mm					DCR. NO	ZONE	ALTERATIONS	SIGN/ DATE	WEIGHT IN kg.	ROUGH FINISHED	RAW MATERIAL CODE	MODEL	LE 200L	DRG.No. LE20063001	REV. NO	00
LINEAR DIMENSIONS (MACHINING)	GENERAL TOLERANCES															
	ABOVE	0	30	100	300											
	UPTO	30	100	300	1000											
TOL	±0.2	±0.3	±0.5	±0.8												
ANGLES	± 1/2'															

**LAKSHMI ELECTRICAL DRIVES LIMITED**  
COIMBATORE - 641 004

GA DRAWING  
22 kW, 6 POLE, IE2