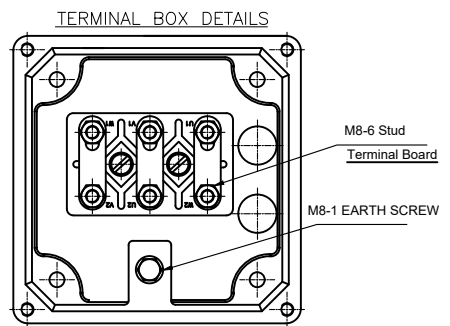


EXTENSION DETAILS



NAME PLATE DETAILS (IS 12615 : 2018)

MARKING	CE
Frame	LE 225M
Duty	S1
Class of insulation	F
Frequency, Hz	50 ±5%
Pole	4
Connectoin	Delta
Output in KW	45
Voltage in volts	415 ±10%
F.L.Current in Amps	76
Speed in RPM	1460
% Efficiency	93.1(IE2)
Protection	IP-55
Power Factor	0.88
BRG DE	6313 ZCC3
BRG NDE	6312 ZCC3

ALL DIMENSIONS ARE IN mm					PREPARED	H.H	04-12-2023	<b>LAKSHMI ELECTRICAL DRIVES LIMITED</b> COIMBATORE - 641 004					
LINEAR DIMENSIONS (MACHINING)	GENERAL TOLERANCES				CHECKED	V.B	04-12-2023						
	ABOVE	0	30	100	300	APPROVED	R.R		04-12-2023				
	UPTO	30	100	300	1000	SCALE	NTS						
	TOL	±0.2	±0.3	±0.5	±0.8	QUANTITY	1 No	GA DRAWING 45 kW, 4 POLE, IE2					
ANGLES	± 1/2'				MATERIAL								
DCR. NO	ZONE	ALTERATIONS			SIGN/ DATE	WEIGHT IN kg.	ROUGH FINISHED	RAW MATERIAL CODE	MODEL	LE 225M	DRG.No. LE22543002	REV. NO	00