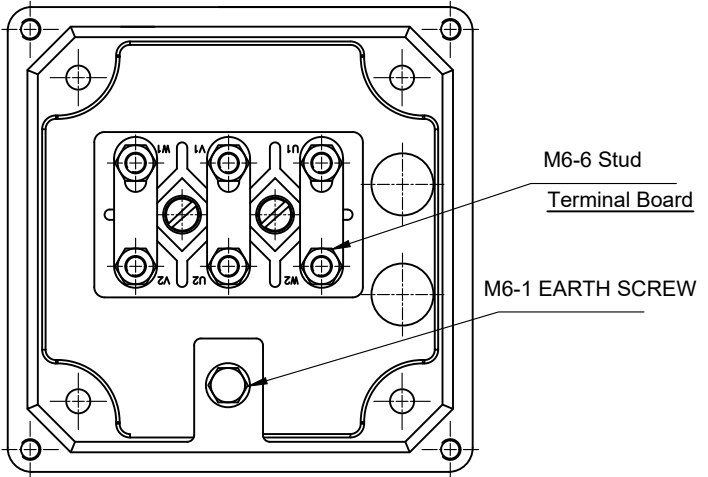


TERMINAL BOX DETAILS



NAME PLATE DETAILS (IS 12615 : 2018)

MARKING	CE
Frame	LE 132 M
Duty	S1
Class of insulation	F
Frequency, Hz	50 ±5%
Pole	6
Connectoin	Delta
Output in KW	5.5
Voltage in volts	415 ±10%
F.L.Current in Amps	12.7
Speed in RPM	940
% Efficiency	86.0(IE2)
Protection	IP-55
Power Factor	0.73
BRG DE	6308 ZCC3
BRG NDE	6307 ZCC3

ALL DIMENSIONS ARE IN mm					PREPARED	H.H	02-12-2023	<p>LAKSHMI ELECTRICAL DRIVES LIMITED COIMBATORE - 641 004</p>					
LINEAR DIMENSIONS (MACHINING)	GENERAL TOLERANCES					CHECKED	V.B		02-12-2023				
	ABOVE	0	30	100	300	APPROVED	R.R		02-12-2023				
	UPTO	30	100	300	1000	SCALE	NTS						
	TOL	±0.2	±0.3	±0.5	±0.8	QUANTITY	1 No						
ANGLES	± 1/2'					MATERIAL							
DCR. NO	ZONE	ALTERATIONS			SIGN/ DATE	WEIGHT IN kg.	ROUGH FINISHED	RAW MATERIAL CODE	MODEL	LE 132 M	DRG.No. LE13265002	REV. NO	00