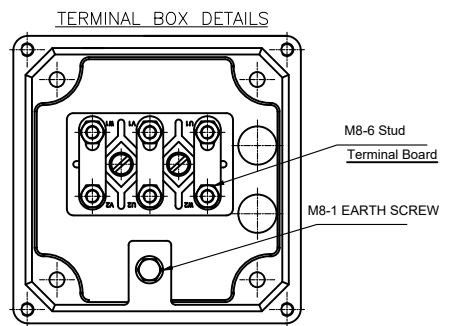


NAME PLATE DETAILS (IS 12615 : 2018)	
MARKING	CE
Frame	LE 250M
Duty	S1
Class of insulation	F
Frequency, Hz	50 ±5%
Pole	4
Connectoin	Delta
Output in KW	55
Voltage in volts	415 ±10%
F.L.Current in Amps	76
Speed in RPM	1460
% Efficiency	93.5(IE2)
Protection	IP-55
Power Factor	0.87
BRG DE	6315 ZZC3
BRG NDE	6314 ZZC3



ALL DIMENSIONS ARE IN mm					PREPARED	H.H	04-12-2023	<b>LAKSHMI ELECTRICAL DRIVES LIMITED</b> COIMBATORE - 641 004				
LINEAR DIMENSIONS (MACHINING)	GENERAL TOLERANCES				CHECKED	V.B	04-12-2023					
	ABOVE	0	30	100	300	APPROVED	R.R		04-12-2023			
	UPTO	30	100	300	1000	SCALE	NTS					
TOL	±0.2	±0.3	±0.5	±0.8	QUANTITY	1 No	GA DRAWING 55 kW, 4 POLE, IE2					
ANGLES	± 1/2'				MATERIAL							
DCR. NO	ZONE	ALTERATIONS		SIGN/ DATE	WEIGHT IN kg.	ROUGH FINISHED	RAW MATERIAL CODE		MODEL	LE 250M	DRG.No. LE25043001	REV. NO