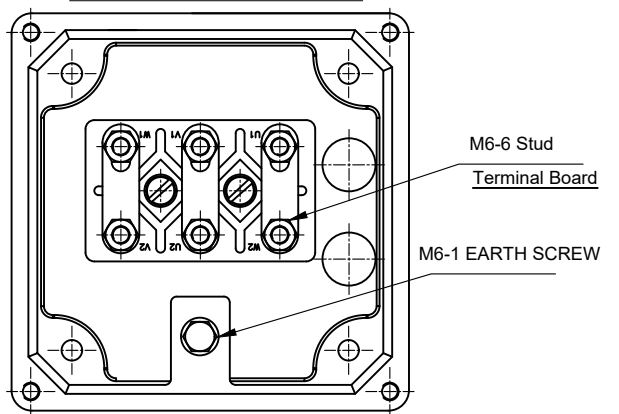


TERMINAL BOX DETAILS



NAME PLATE DETAILS (IS 12615 : 2018)

MARKING	CE
Frame	LE 132 s
Duty	S1
Class of insulation	F
Frequency, Hz	50 ±5%
Pole	2
Connectoin	Delta
Output in KW	7.5
Voltage in volts	415 ±10%
F.L.Current in Amps	15
Speed in RPM	2910
% Efficiency	88.1(IE2)
Protection	IP-55
Power Factor	0.9
BRG DE	6308 ZZC3
BRG NDE	6307 ZZC3

ALL DIMENSIONS ARE IN mm					PREPARED	H.H	02-12-2023	<p>LAKSHMI ELECTRICAL DRIVES LIMITED COIMBATORE - 641 004</p>			
LINEAR DIMENSIONS (MACHINING)	GENERAL TOLERANCES				CHECKED	V.B	02-12-2023				
	ABOVE	0	30	100	300	APPROVED	R.R		02-12-2023		
	UPTO	30	100	300	1000	SCALE	NTS				
TOL	±0.2	±0.3	±0.5	±0.8	QUANTITY	1 No					
ANGLES	± 1/2'				MATERIAL						
DCR. NO	ZONE	ALTERATIONS	SIGN/ DATE	WEIGHT IN kg.	ROUGH FINISHED	RAW MATERIAL CODE	MODEL	LE 132 S	DRG.No. LE13225002	REV. NO	00