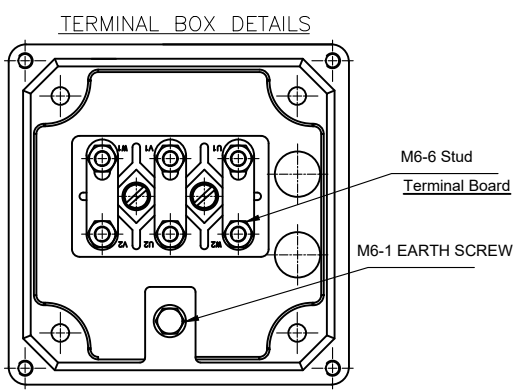


EXTENSION DETAILS



NAME PLATE DETAILS (IS 12615 : 2018)	
MARKING	CE
Frame	LE 160 L
Duty	S1
Class of insulation	F
Frequency, Hz	50 ±5%
Pole	6
Connectoin	Delta
Output in KW	9.3
Voltage in volts	415 ±10%
F.L.Current in Amps	18
Speed in RPM	960
% Efficiency	88.1(IE2)
Protection	IP-55
Power Factor	0.83
BRG DE	6309 ZZC3
BRG NDE	6309 ZZC3

ALL DIMENSIONS ARE IN mm				PREPARED	H.H	04-12-2023		LAKSHMI ELECTRICAL DRIVES PRIVATE LIMITED					
LINEAR DIMENSIONS (MACHINING)	GENERAL TOLERANCES				CHECKED	V.B		04-12-2023	COIMBATORE - 641 004				
	ABOVE	0	30	100	300	APPROVED		R.R	04-12-2023	G.A DRAWING 9.3kW, 6 POLE, IE2			
	UPTO	30	100	300	1000	SCALE		NTS	QUANTITY			1 No	
TOL	±0.2	±0.3	±0.5	±0.8	MATERIAL			ROUGH FINISHED					
ANGLES	± 1/2'			DCR. NO	ZONE	ALTERATIONS	SIGN/ DATE	WEIGHT IN kg.	MODEL	LE 160L	DRG.No. LE16063003	REV. NO	00