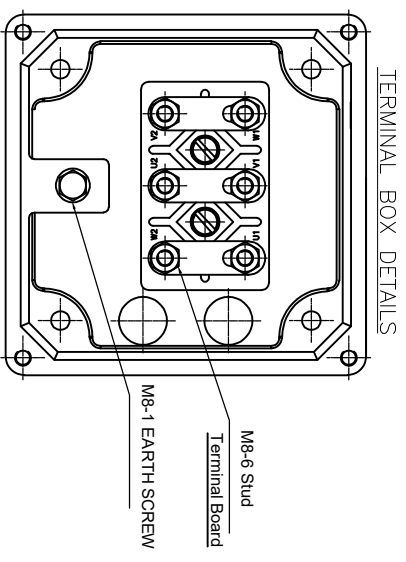
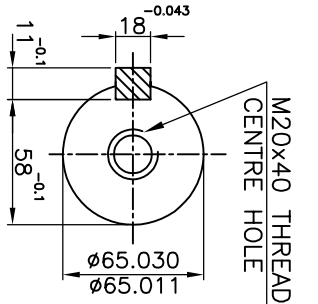
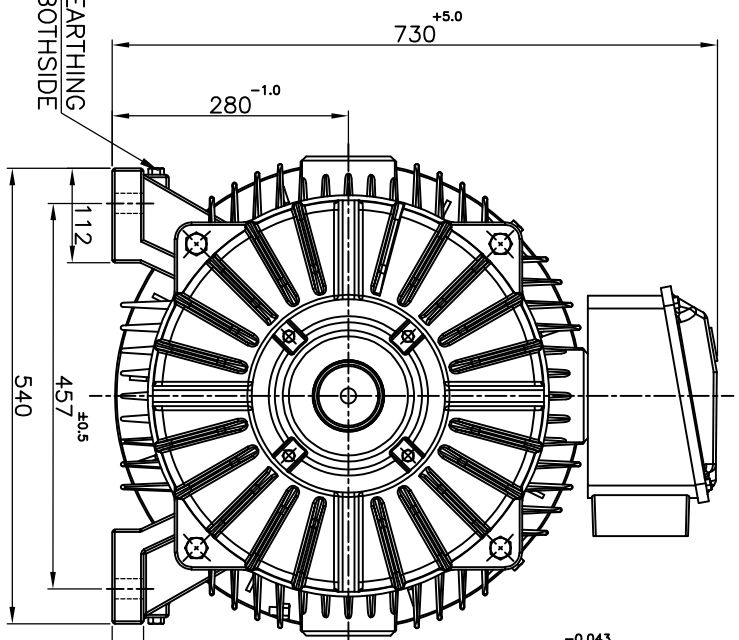


M63x1.5P GLAND
DUMMY-2Nos
M20 EYE BOLT-1No



ALL DIMENSIONS ARE IN mm

GENERAL TOLERANCES

LINEAR DIMENSIONS (MACHINING)	GENERAL TOLERANCES				
	ABOVE 0	30	100	300	1000
UP TO	30	100	300	1000	
TOL	±0.2	±0.3	±0.5	±0.8	

ANGLES ± 1/2°

NAME PLATE DETAILS (IS 12615 : 2018)

MARKING	CE
Frame	LE 280S
Duty	S1
Class of insulation	F
Frequency, Hz	50 ±5%
Pole	2
Connectoin	Delta
Output in KW	75
Voltage in volts	415 ±10%
F.L. Current in Amps	130
Speed in RPM	2970
% Efficiency	94.7(IE3)
Protection	IP-55
Power Factor	0.92
BRG DE	6317 C3
BRG NDE	6316 C3

LAKSHMI ELECTRICAL DRIVES LIMITED
COIMBATORE - 641 004



GA DRAWING
75 KW, 2 POLE, IE3

DCR NO	ZONE	ALTERATIONS	SIGN/ DATE	WEIGHT IN Kg.	ROUGH FINISHED	RAW MATERIAL CODE	MODEL	LE 280S	DRG.No. LEH28023001	REV. NO
			PREPARED	K.SP				12-06-2024		
			CHECKED	ASP				12-06-2024		
			APPROVED	K.K.N				12-06-2024		
			SCALE	NTS						
			QUANTITY	1 No						
			MATERIAL							