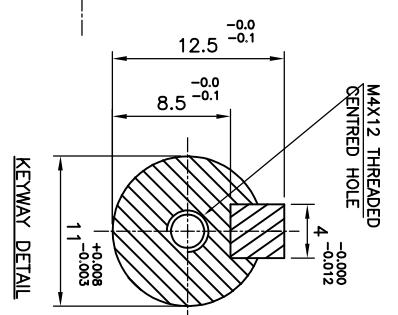
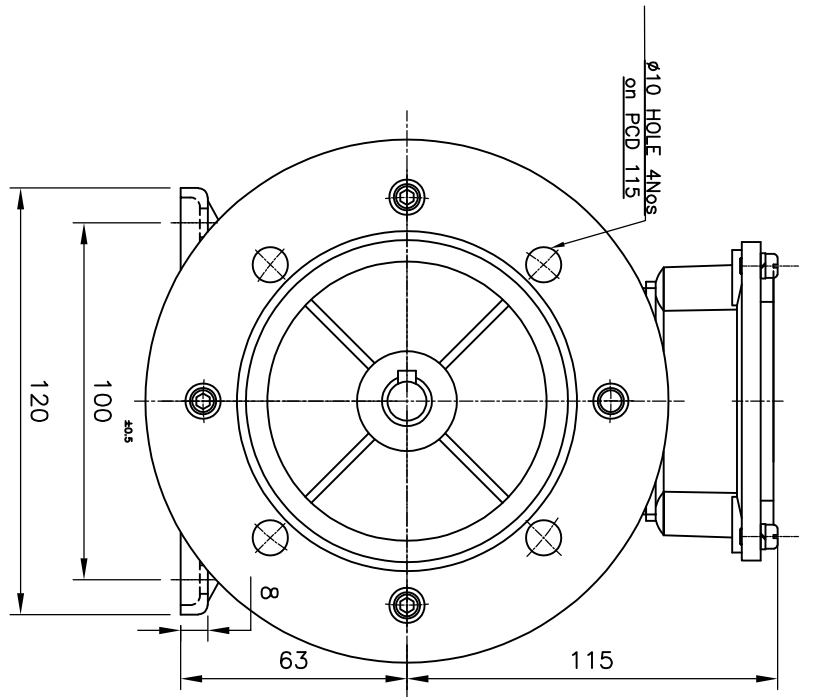
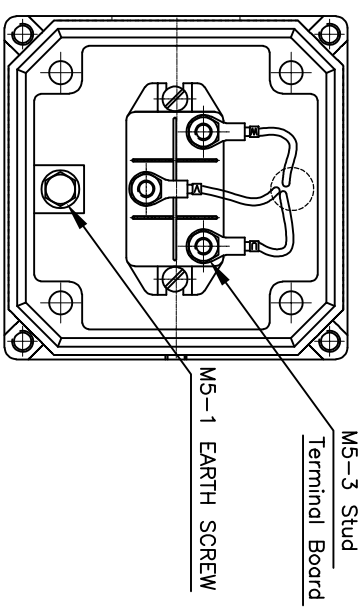


TERMINAL BOX DETAILS



NAME PLATE DETAILS (S12615:2018)	
Marking	CE
Frame	LE 63
Duty	S1
Class of Insulation	F
Frequency, Hz	50±5%
Pole	2
Connection	STAR
Output in kW	0.18
Voltage in Volts	415±10%
F.L.Current in Amps	0.84
Speed in RPM	2750
% Efficiency	65.9(IE3)
Brg.(DE)	6202 2RS C3
Brg.(NDE)	6202 2RS C3
Power Factor	0.6
Protection	IP55

ALL DIMENSIONS ARE IN mm

GENERAL TOLERANCES

LINEAR DIMENSIONS (MACHINING)	GENERAL TOLERANCES				
	ABOVE 0	30	100	300	1000
UP TO	30	100	300	1000	
TOL	±0.2	±0.3	±0.5	±0.8	

ANGLES

± 1/2°

DCR NO	ZONE	ALTERATIONS	SIGN/ DATE	WEIGHT IN Kg.	ROUGH FINISHED
			PREPARED	K.SP	26-06-2024
			CHECKED	ASP	26-06-2024
			APPROVED	K.K.N	26-06-2024
			SCALE	NTS	
			QUANTITY	1 No	
			MATERIAL	-	

LAKSHMI ELECTRICAL DRIVES PRIVATE LIMITED  
COMBATORRE - 641 004

G.A DRAWING  
0.18kW,2P,IE3

MODEL	LE 63	DRG.No	LEH06326001	REV.	NO
				00	